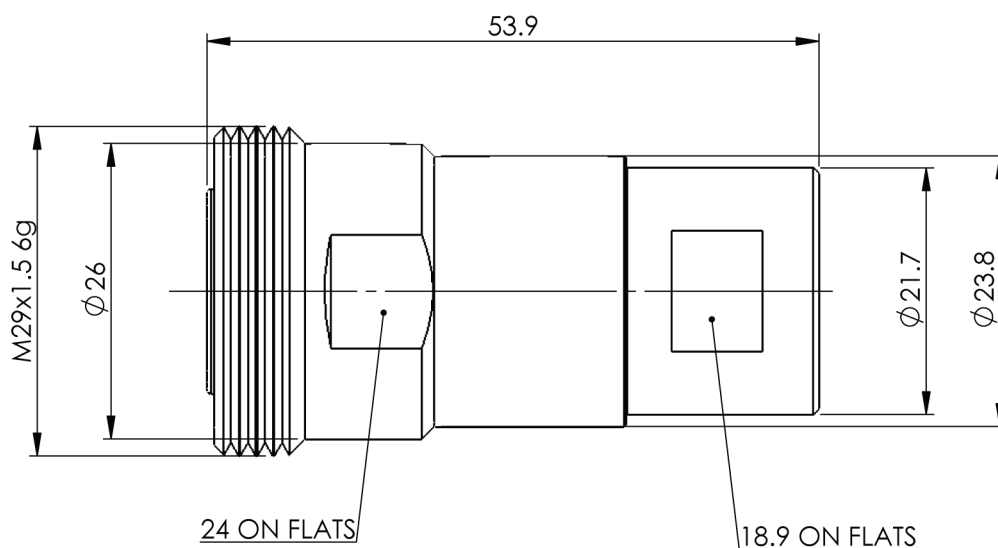


AFB7-8

7/16 DIN Female for 1/2" Coaxial Cable

Electrical Characteristics		
Frequency range	DC-3GHz	
VSWR	≤ 1.10	
Insertion loss	≤ 0.05 dB	
PIM	≤ -160 dBc	
Insulation resistance	> 10000 MΩ	
Proof voltage	4000 V	
Conductor resistance - Outer conductor	< 0.2 mΩ	
Conductor resistance - Inner conductor	< 0.8 mΩ	
Impedance	50Ω	
Environmental Characteristics		
Temperature range	-40° to +85° C (-40° to +185° F)	
Weather standard	IEC 60068 40 / 085 / 21	
Weatherproofing standard	IP68	
Thermal shock	US MIL-STD 202, Method 107, Condition B	
Vibration	US MIL-STD 202, Method 204, Condition B	
Shock	US MIL-STD 202, Method 213, Condition I	
RoHS compliant	Yes	
Mechanical Characteristics		
Retention	≤ 5.88N	
Mechanical wear	500	
Tensile force (cable-connect)	500N	
Torsion (cable-connect)	5N.m	
Assembly	Inner and outer conductor installed	
Material and Plating		
	Material	Plating
Inner conductor	Spring copper	Ag5μm
Outer conductor	C3603	Copper-tin-zinc 2μm
Insulator	TPX	---



(mm)

Quoted performance parameters are provided to offer typical or range values only and may vary as a result of normal manufacturing and operational conditions. Extreme operational conditions and/or stress on structural supports is beyond our control. Such conditions may result in damage to this product. Improvements to product may be made without notice.